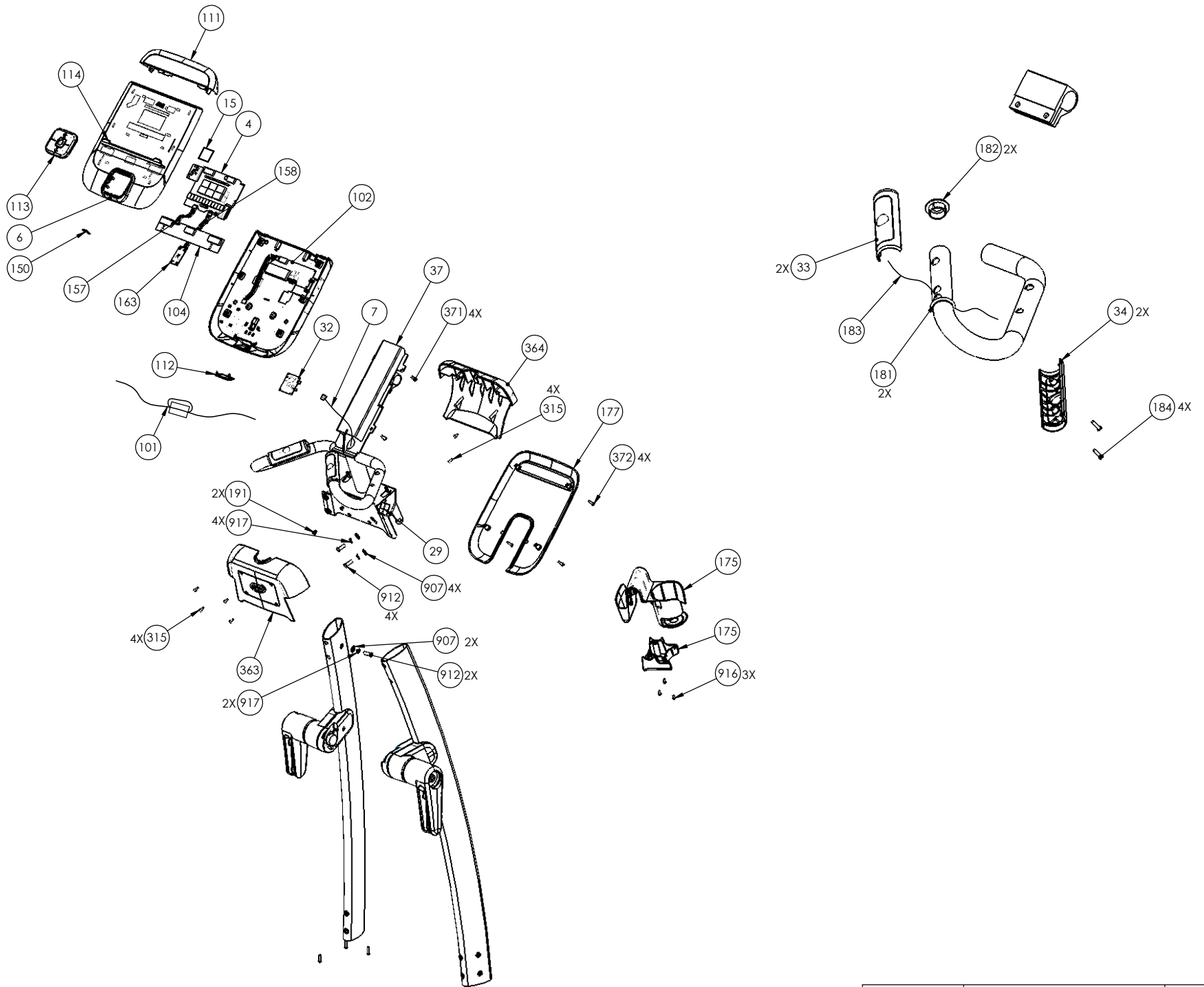
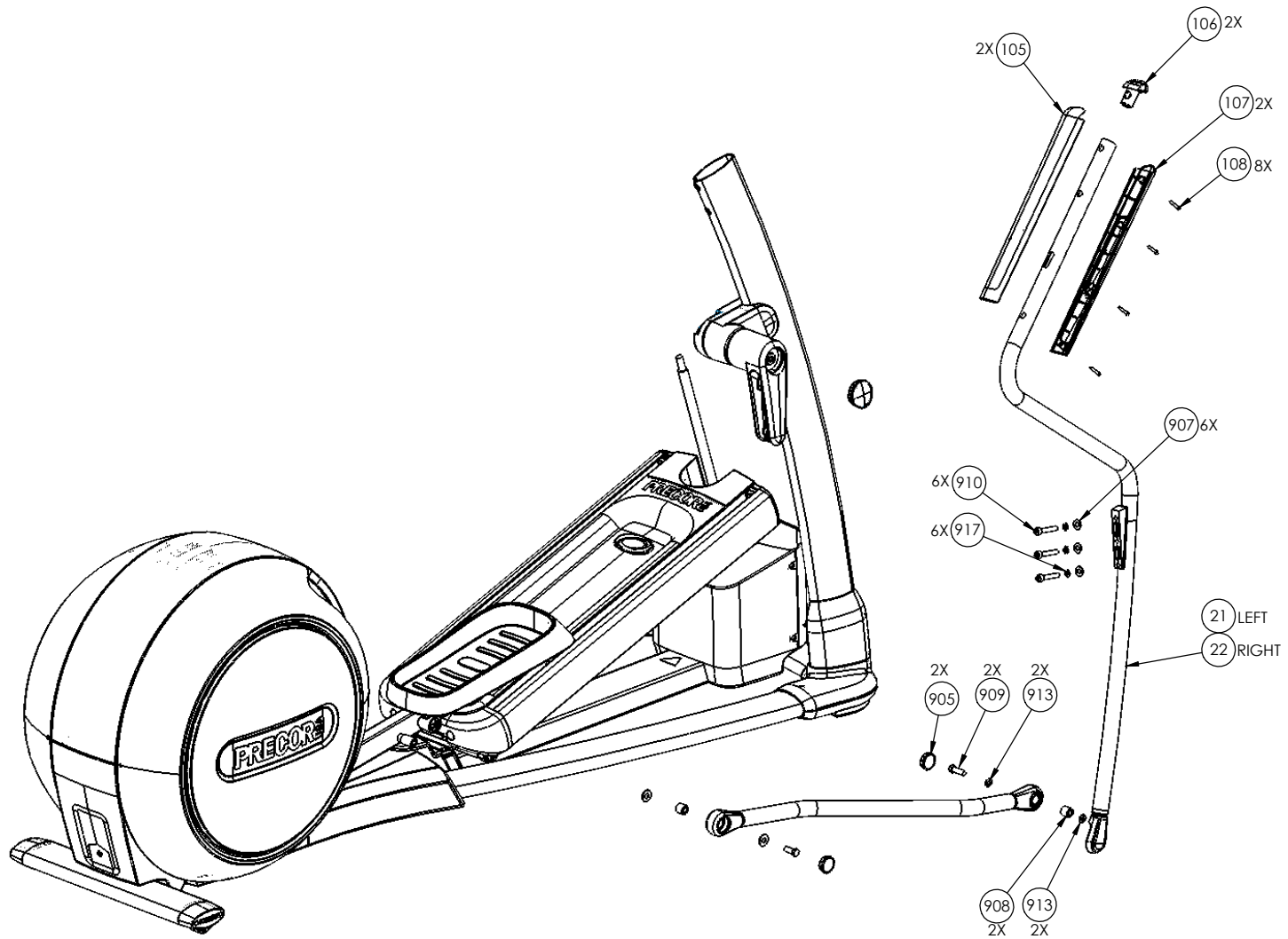
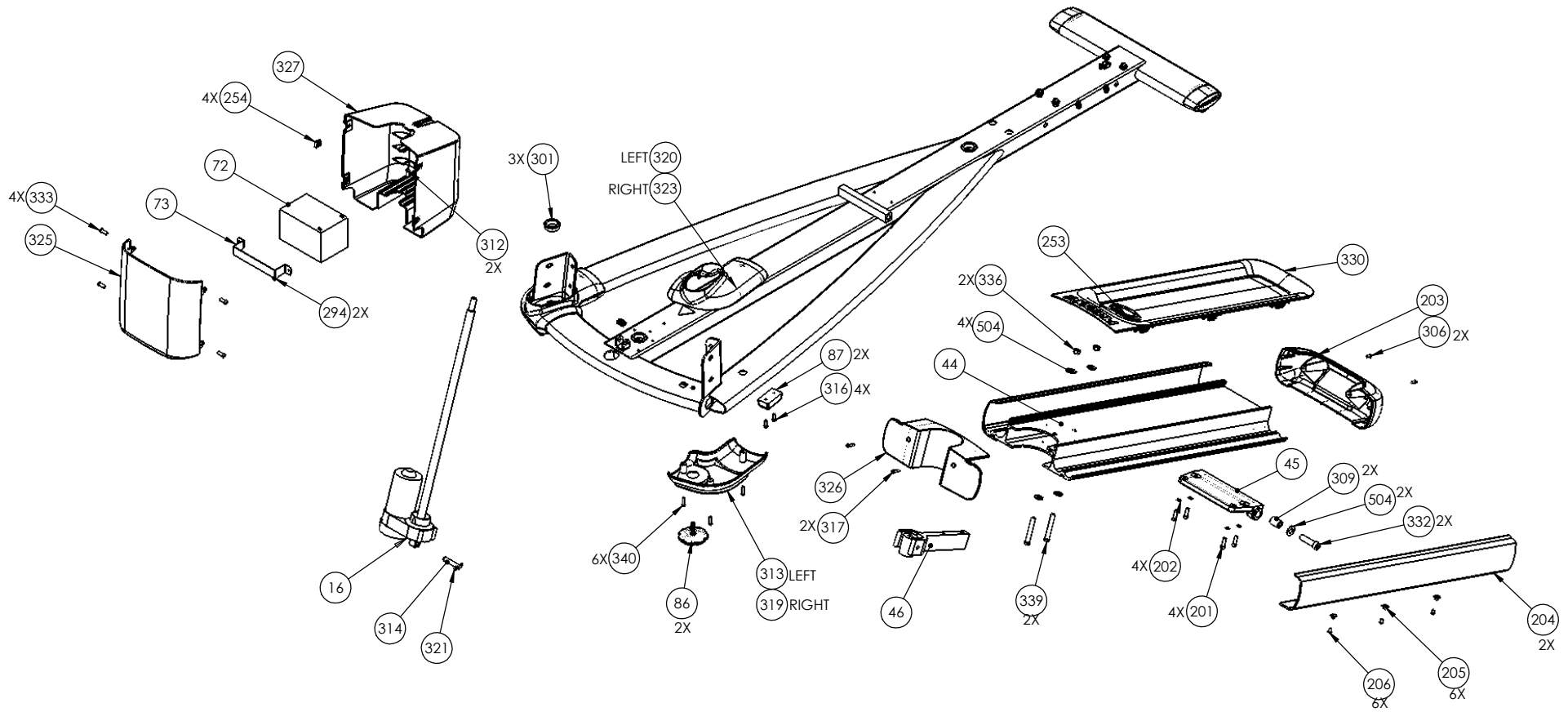
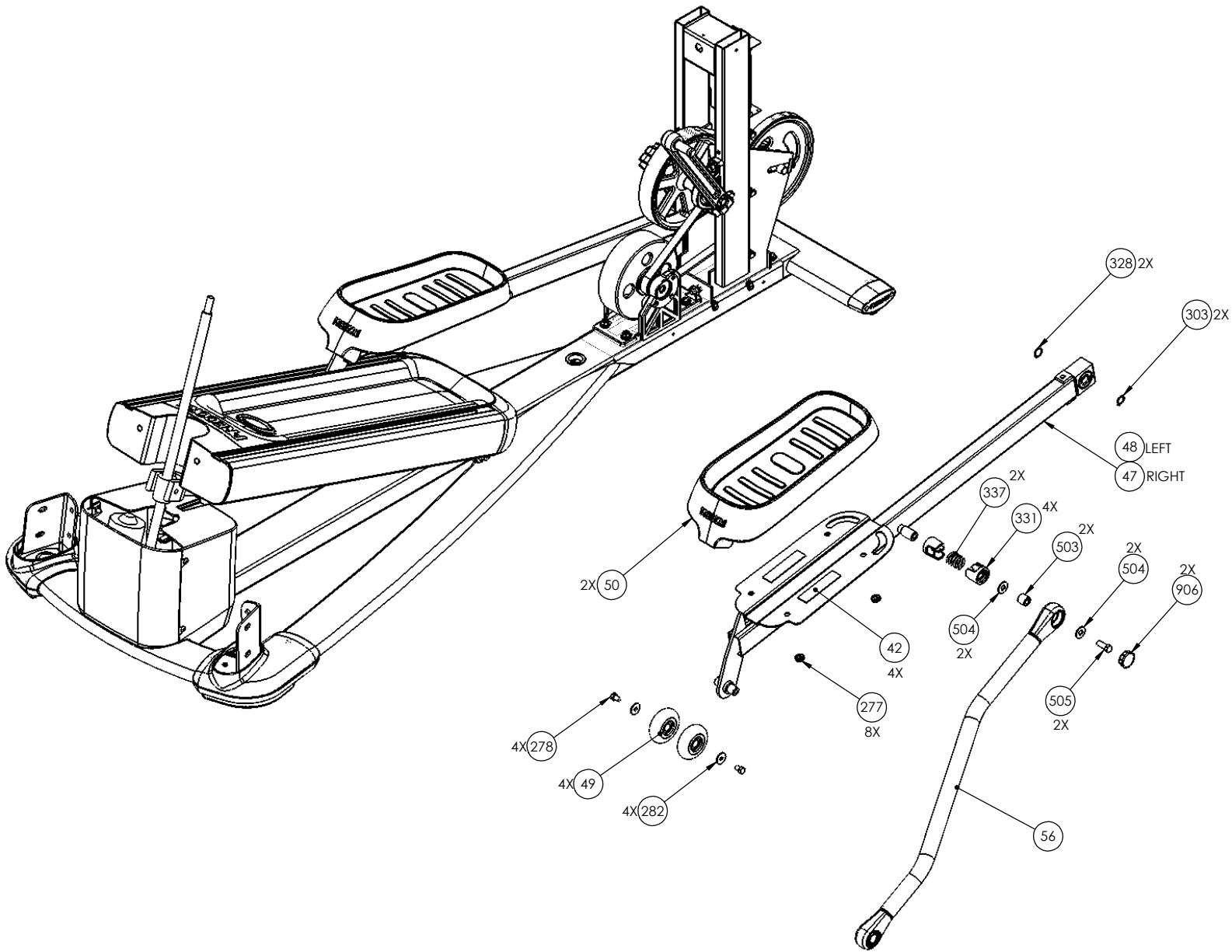


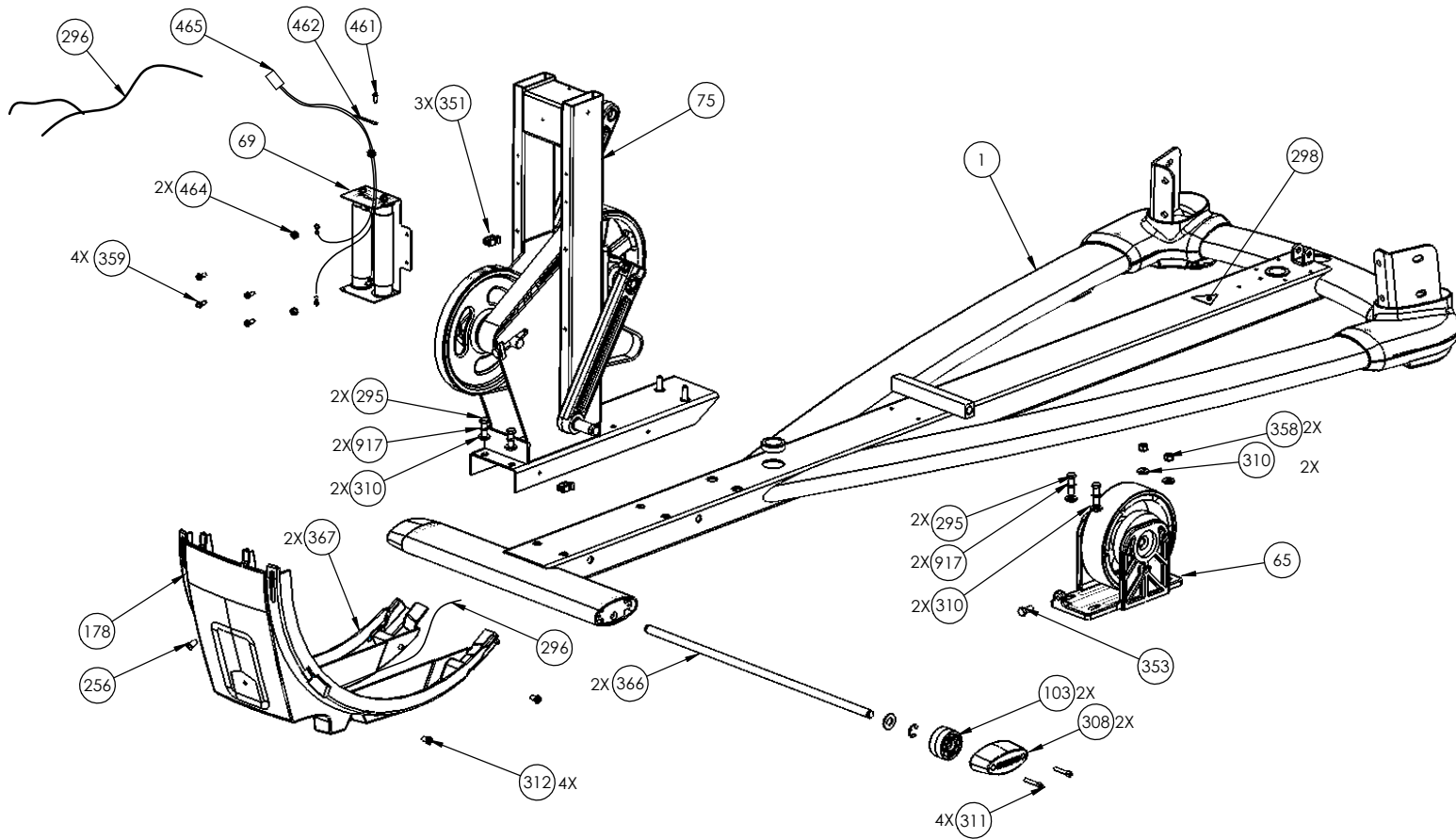
C5761	P/N : 49031-101	SUBREV : G
DRAWN BY : GRANADOSIN	DATE : 05.05.08	SHEET 1 OF 9

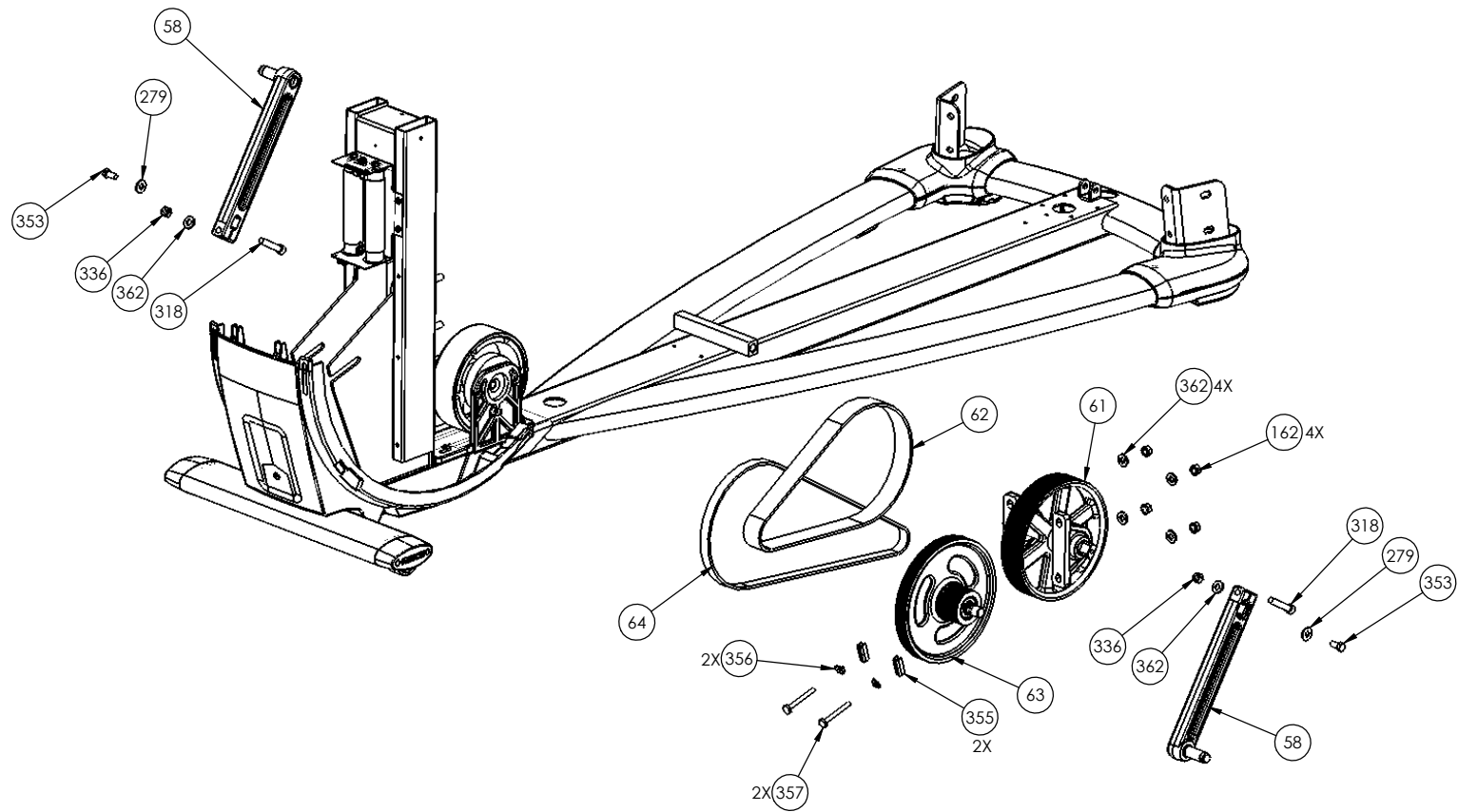


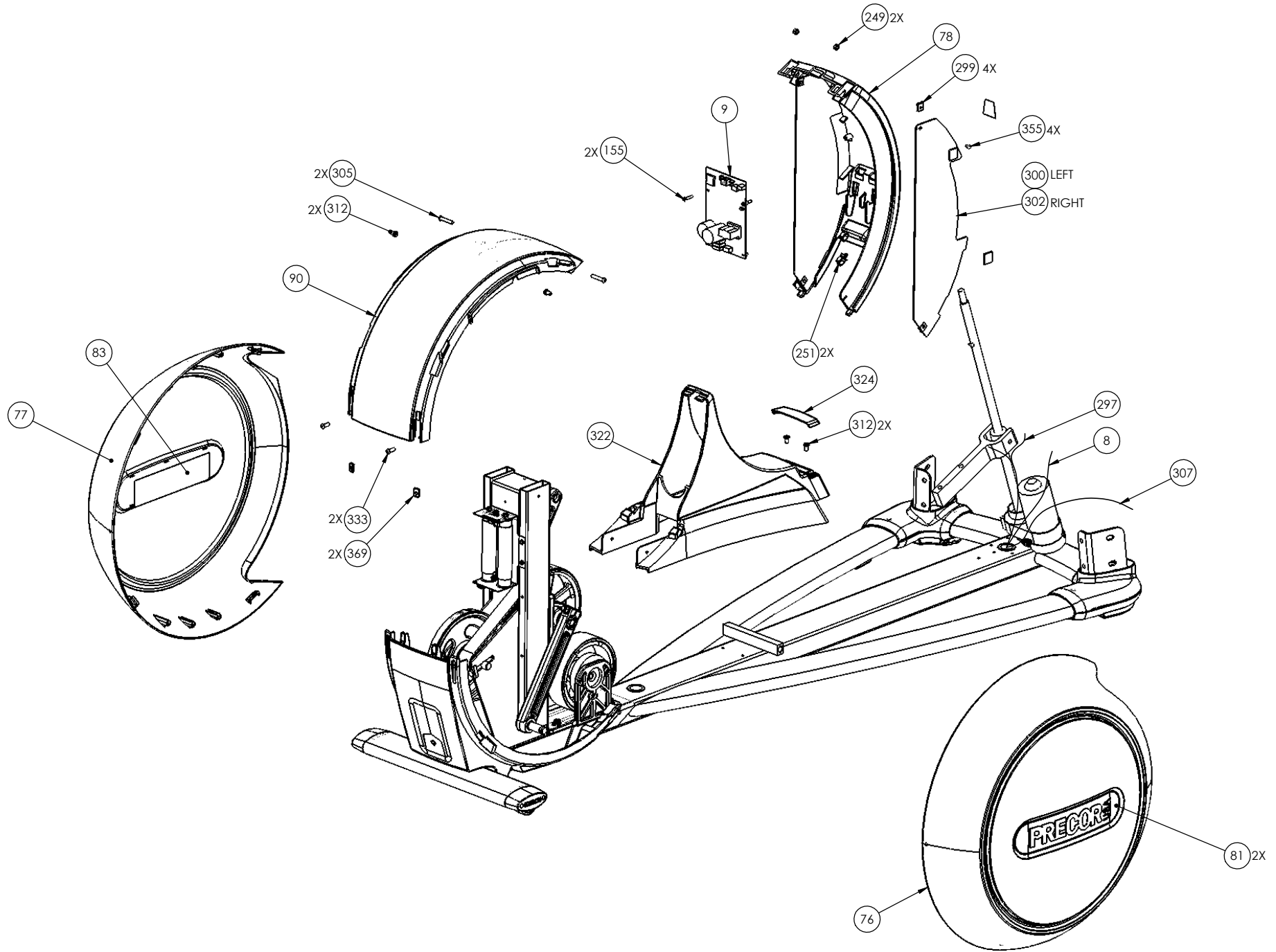


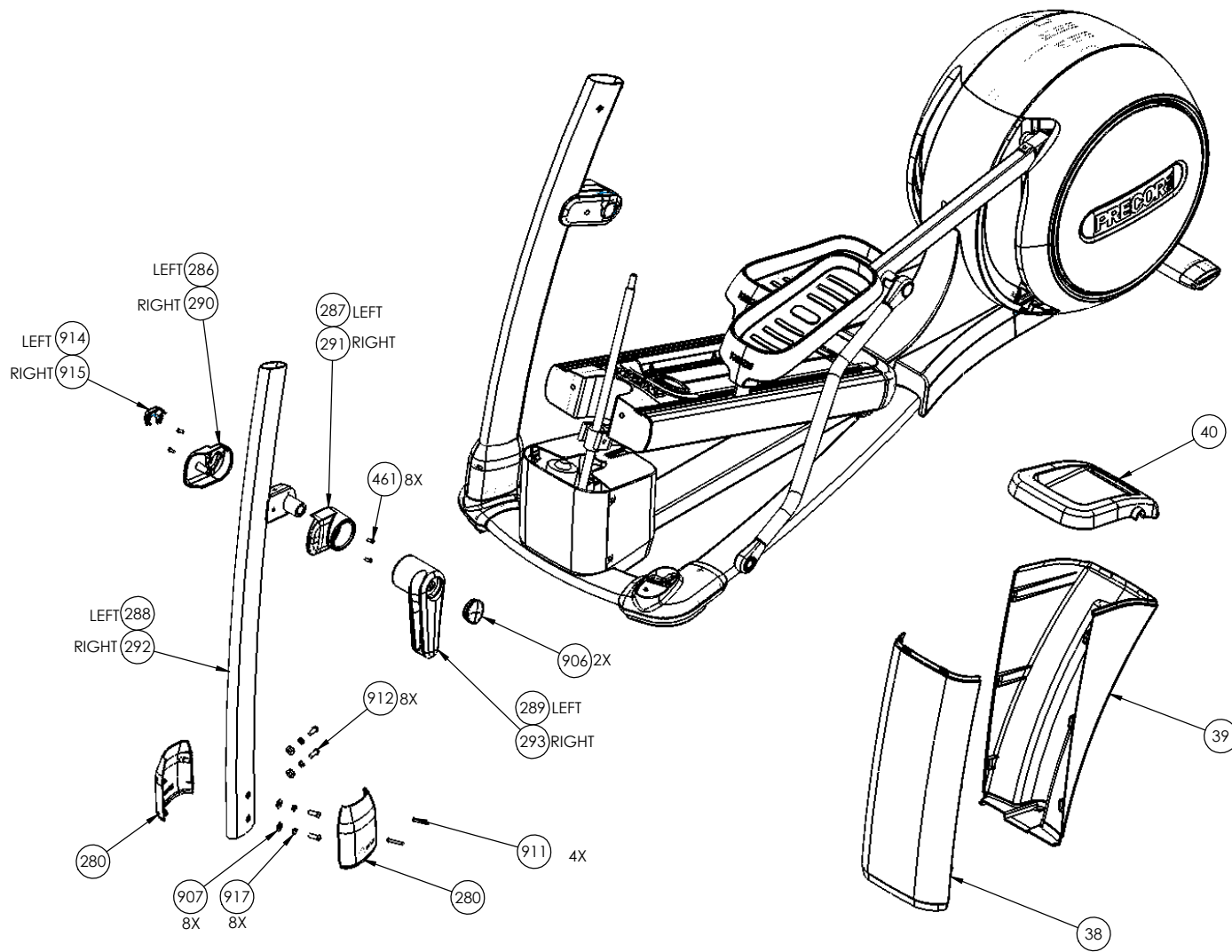












C576i (version 2)(serial code AA72, AACA, ADFA)		
Part Number	Description	Bubble Number
PPP000000048434403	PCA,DISPLAY,CL	4
PPP000000049269109	ASSY, UPPER PCA & SW, C576I, CL, W/	4.01
PPP000000049274111	ASSEMBLY, DISPLAY PANEL/LABELS, C57	6
PPP000000044905028	ASSY,CBL,MOD,8P8C,1-1,28"	7
PPP000000044905152	ASSY,CBL,MOD,8P8C,1-1,152"	8
PPP000000049444101	ASSY, LOWER PCA & SW, LCSPAM EFX, 6	9
PPP000000039797102	ACTUATOR, LIFT,SELF POWERED EFX, W/	16
PPP000000039766105	ASSY, HANDLEBAR, LEFT, C556I, C576I	21
PPP000000050599101	HANDLEBAR & PIVOT KIT, LEFT, C556I,	21.01
PPP000000039766106	ASSY, HANDLEBAR, RIGHT, C556I, C57	22
PPP000000050599102	HANDLEBAR & PIVOT KIT, RIGHT, C556I	22.01
PPP000000049420401	SW, EFX, LCSPAM LOWER, 6-PHASE, W/L	27
PPP000000011415102	COUPLER,MOD,8P8C,INLINE,SNAP-IN	29
PPP000000043579108	ASSY BOARD, CHR, CONTACT PRIORITY/	32
PPP000000042713102	HHR SENSOR, TOP	33
PPP000000042714102	HHR SENSOR, BOTTOM	34
PPP000000048874102	WELDMENT, DISPLAY-C MOUNT, C556I/C5	37
PPP000000039737101	LIFT COVER, FRONT	38
PPP000000039736102	LIFT COVER, REAR	39
PPP000000039738101	CROWN, LIFT COVER	40
PPP000000039874101	DOUBLE ADHESIVE FOAM TAPE 1" X 4"X1	42
PPP000000039776102	ASSEMBLY, RAMP, EFX	44
PPP000000039779102	ASSY, RAMP PIVOT	45
PPP000000039783101	ASSY, LIFT NUT AND YOKE	46
PPP000000050589104	ASSY, STAIRARM, C556/C576I, RIGHT,	47
PPP000000050589103	ASSY, STAIRARM, C556/C576I, LEFT, S	48
PPP000000048336101	WHEEL,OVERMOLDED,BLACK	49
PPP000000039750102	FOOT PEDAL, REXAPEX	50
PPP000000039768102	ASSEMBLY, LINK, TOTAL BODY	56
PPP000000039833102	ASSEMBLY, CRANK ARM, COMMERCIAL, 10	58
PPP000000039825101	ASSEMBLY, DRIVE INPUT SHAFT WITH BE	61
PPP000000010217138	BELT, DRIVE, 360J16 POLY V	62
PPP000000045974101	ASSY,STEP-UP,17:1 DRIVE,EFX	63
PPP000000010217139	BELT, DRIVE, 460J8 POLY V	64
PPP000000050595101	KIT,GENERATOR,6 PHASE W/PRESSED ON	65

PPP00000039769102	ASSEMBLY, RESISTOR W/MINI-FIT CABLE	69
PPP00000012258070	BATTERY,SLA,12V,7AH,.187 TABS	72
PPP000000039820102	BRACKET, BATTERY MOUNT, C556I RX,	73
PPP000000039701101	ASSEMBLY, DRIVE WELDMENT, C576I	75
PPP000000039731102	ASSEMBLY, SIDE COVER , RH	76
PPP000000039731101	ASSEMBLY, SIDE COVER ,LH	77
PPP000000039864102	ASSY, REAR COVER, FRONT	78
PPP000000039792101	LABEL, EFX COVER, REAR	81
PPP000000048174102	LABEL, WIRING DIAGRAM, EFX, SELF-PO	83
PPP000000039916102	FOOT, ADJUSTING	86
PPP000000031074103	FOOT, FIXED, SP TREAD	87
PPP000000039868101	ASSY, REAR COVER, TOP	90
PPP000000011075110	FUSE,6.30A,250VAC,SLOW,RADIAL	92
PPP000000012262102	WIRE CLIP,FOAM TAPE BACK	101
PPP000000049717014	ASSY, CABLE, HHR TO DISPLAY, 14"	102
PPP000000039744102	WHEEL, TRANSPORT, MOLDED	103
PPP000000048947152	ASSY, PCA & SW, DISPLAY-C, METRICS,	104
PPP000000039845201	FRONT, HANDGRIP, OVERMOLDED, STONE	105
PPP000000039844102	CAP, HANDGRIP, STONE GREY	106
PPP000000039846201	BACK, HANDGRIP, OVERMOLDED, STONE G	107
PPP00000CCNN016113	SCREW,SKHD,8-32X1.125L,SS	108
PPP000000048707101	BACK PANEL, DISPLAY-C, W/O USB	110
PPP000000048713101	TOP, DISPLAY-C, BLANK	111
PPP000000048714101	ACCESS PANEL, HEADPHONE JACK	112
PPP000000048769111	D-PAD, 5 BUTTON, EFX, ICON	113
PPP000000048712102	BOOK SUPPORT, DISPLAY-C, MAKROBLEND	114
PPP000000049805101	D-PAD PCA LOCK CLIP	150
PPP00000MGCN016100	MACHINE SCREW, 8-32 X 1, PAN HEAD	155
PPP000000048602005	ASSY,CABLE,6C,.1 CTR,1-1,GOLD,5"	157
PPP000000048602009	ASSY,CABLE,6C,.1 CTR,1-1,GOLD,9"	158
PPP00000KGCN038033	LOCKNUT, STARWASHER, 3/8-16	162
PPP000000049003401	PCA, SNAPDOME D-PAD	163
PPP000000049364101	ASSY, WATER BOTTLE HOLDER	175
PPP000000048708101	REAR COVER, DISPLAY-C, W/O HANDLEBA	177
PPP000000039819102	ASSEMBLY, REAR COVER BOTTOM	178
PPP000000010115113	O-RING, ROUND, 1.25ID X .139	181
PPP000000042730101	PLUG, HHR, HANDLE BAR END	182

PPP00000047342027	ASSY, CABLE, HHR PCA TO GRIP, W/SH	183
PPP00000TCNN016075	SCREW, BTHD, 8-32X.75,SS	184
PPP000000012628101	INSERT, SQUARE, NYLON	191
PPP00000CATN025088	SCREW,SKHD,1/4-20X7/8,BLK SHARPERIZ	201
PPP00000WPNN026003	WASHER, FLAT, .255 X .468 X .029, S	202
PPP000000039741101	RAMP END CAP, REAR	203
PPP000000039778101	CHANNEL, RAMP, EFX	204
PPP000000039850101	T-NUT	205
PPP00000TBTN019038	SCREW,BTHD,10-32X3/8,BLK SHARPERIZE	206
PPP00000KAENN025024	NUT,HEX,1/4-20,NYLON	249
PPP0000000011278101	CABLE CLAMP,INSERT	251
PPP0000000039806101	LABEL, SIDE ELIPTICAL,REXAPEX	253
PPP0000000010136103	CLIP,U TYPE, TINNEMAN, 1/4-20	254
PPP0000000039727101	REX BOTTOM COVER, REAR	255
PPP000000048486102	RIVET,PLASTIC, CHRISTMAS TREE, .50	256
PPP000000012647101	PALNUT, SELF THREADING NUT, REG. TY	277
PPP00000HECE031050	SCREW, HEX, 5/16-18 X 1/2, ZINC	278
PPP00000WCCN031008	WASHER, FLT, 5/16X.875X.083	279
PPP000000039873101	ASSY, TARGA BOOTS	280
PPP00000WNNN032009	WASHER,FLT, .321X1.00X.090 THK	282
PPP000000057026102	EFX REAR TRANSPORT WHEEL HARDWARE U	285
PPP000000039747101	PIVOT COVER, INNER, LH	286
PPP000000039747102	PIVOT COVER, OUTER, LH	287
PPP000000039761105	WELDMENT, UPRIGHT, LH,PT	288
PPP000000039788105	ASSY, MAIN PIVOT, LEFT	289
PPP000000039747103	PIVOT COVER, INNER, RH	290
PPP000000039747104	PIVOT COVER, OUTER, RH	291
PPP000000039761106	WELDMENT, UPRIGHT, RH,PT	292
PPP000000039788106	ASSY, MAIN PIVOT, RIGHT	293
PPP00000MGCN016038	SCREW,MCH,8-32X3/8,PANHD,PHIL,	294
PPP00000HCCN031125	SCREW,HEX,GR 5,5/16-18X1.25,ZN	295
PPP000000047840033	CBL, 2C,16 AWG, MINI-FIT PLUG/250 X	296
PPP000000045334080	ASSY,CBL,18AWG,FLAG QC CONN,80"	297
PPP000000047545101	LABEL, CAUTION PINCH POINTS	298
PPP000000010136101	CLIP, U TYPE, TINNEMAN, #8	299
PPP000000039862103	ASSY, COVER, REAR CURTAIN, LH	300
PPP000000010178112	BUSHING, SNAP	301

PPP00000039862104	ASSY, COVER, REAR CURTAIN, RH	302
PPP00000ABHN017001	RING, RETAINER, EXTERNAL	303
PPP00000TACN025150	SCREW,BTHD,1/4-20X1-1/2,ZN	305
PPP00000PMTN016050	SCREW,TCS,#8X1/2,PHIL,BLK SHARPERIZ	306
PPP000000045205078	ASSY,CBL,18AWG,6P5C,MINI-FIT,78"	307
PPP000000039786101	WHEEL, COVER, REAR	308
PPP000000043798103	SHAFT, PIVOT BLOCK, C5X6-NC	309
PPP00000WBANN034013	WASHER,FLAT,ID=11/32,OD3/4,TH=.125,	310
PPP00000CATN019125	SCREW, SKHD,10-24 X 1.25,BLK SHARPE	311
PPP00000PANTN025050	SCREW,S/T,#1/4-20X1/2,PANHD,PHIL,TR	312
PPP000000039816101	TARGA BOOT, LOWER,LEFT	313
PPP000000010401107	PIN, CLEVIS, 3/8 X 2.13, ZINC	314
PPP00000PGTN016063	SCREW,S/T,#8X5/8,TRS,PHIL,BLK SHARP	315
PPP00000PKCN019075	SCREW,S/T,#10X.75,WSHHXHD,ZN	316
PPP00000PMTN016050	SCREW,TCS,#8X1/2,PHIL,BLK SHARPERIZ	317
PPP00000CAMN038200	SCREW,SKHD,3/8-16X2,ZN (MECH PLATIN	318
PPP000000039816102	TARGA BOOT, LOWER,RIGHT	319
PPP000000039817103	TARGA BOOT, UPPER, LEFT	320
PPP000000010400103	PIN, HITCH, .093 DIA, ZINC, #203	321
PPP000000039729102	REX WEDGE, REAR	322
PPP000000039817104	TARGA BOOT, UPPER, RIGHT	323
PPP000000039730101	REAR COVER ACCESS	324
PPP000000039734101	LIFT PEDESTAL, FRONT	325
PPP000000039742101	RAMP END CAP, FRONT	326
PPP000000039784101	ASSY, LIFT PEDESTAL, REAR	327
PPP00000WAGNN062001	WASHER, WAVE, .87 OD X .62 ID	328
PPP000000039791101	ASSY, RAMP, CENTER COVER	330
PPP000000039843104	SPACER, LOWER LINK, MOLDED	331
PPP00000CATN050200	SCREW, SKHD, 1/2-13 X 2.00, BLACK S	332
PPP00000TFTN025075	SCREW,BTHD,1/4-20X3/4,BLK SHARPERIZ	333
PPP00000PGTN016063	SCREW,S/T,#8X5/8,TRS,PHIL,BLK SHARP	335
PPP00000KDCN038034	LOCKNUT, FULL, 3/8-16, BLK ZN	336
PPP000000048529101	SPRING, LINK ARM	337
PPP00000HCCN038275	SCREW,HEX, GR5,3/8-16X2 3/4, ZN	339
PPP00000PMTN016088	SCREW,TCS,#8X7/8,PHIL,BLK SHARPERIZ	340
PPP000000011278101	CABLE CLAMP,INSERT	351
PPP00000HCCN031075	SCREW, HEX HD, GRADE 5, 5/16-18 X .	353

PPP00000037385101	BRACKET, TENSIONER	355
PPP00000037855103	TAB, LOCKING	356
PPP00000HACN025250	SCREW,1/4-20X2-1/2,HEX,GR 2,ZN	357
PPP00000KGCN031027	LOCKNUT,STARWASHER,5/16-18,1/2	358
PPP00000PKCN019050	SCREW,S/T,#10X1/2,WSHHXHD,ZN	359
PPP00000WRCN038011	WASHER,GRADE 8,3/8,13/32 ID,13/16OD	362
PPP000000039746101	SHIELD, TARGA REAR	363
PPP000000039745101	SHIELD,TARGA FRONT	364
PPP000000049722102	AXLE,WHEEL,EFX	366
PPP000000012716101	CABLE CLIP, DIE COMPANY	367
PPP000000010136103	CLIP,U TYPE, TINNERMAN, 1/4-20	369
PPP00000TFTN025075	SCREW,BTHD,1/4-20X3/4,BLK SHARPERIZ	371
PPP00000WBCN050010	WASHER, FLT, 1/2, ID=.531,	371
PPP00000MGCN016100	MACHINE SCREW, 8-32 X 1, PAN HEAD	372
PPP00000WBCN050010	WASHER, FLT, 1/2, ID=.531,	373
PPP00000AEHN050004	E-RING,.50 DIA X .42 THICK	374
PPP00000PMTN016050	SCREW,TCS,#8X1/2,PHIL,BLK SHARPERIZ	461
PPP000000012103101	CLAMP,CABLE,VINYL COATED	462
PPP00000KNCN019013	NUT,HEX,10-32,ZINC	464
PPP000000048133015	ASSY,CBL,2C,HIGH TEMP,16AWG,#10 RIN	465
PPP000000057023101	REPAIR KIT, EFX FRAME RAMP PIVOT	500
PPP000000047002101	CAP, TUBE, PLASTIC, ROUND, 1.625 DI	501
PPP000000047001101	SHAFT, LINK BUSHING, 556I	503
PPP00000WCCN038008	WASHER, FLT, 3/8X1.00X.083	504
PPP00000HCCE038150	SCREW,HEX,GR 5,3/8-16X1 1/2,ZN,LK	505
PPP000000049065103	KIT, HARDWARE, C576I, DISPLAY-C	901
PPP000000047002101	CAP, TUBE, PLASTIC, ROUND, 1.625 DI	905
PPP000000039842101	CAP, HANDLEBAR PIVOT	906
PPP00000WBCN031007	WASHER,FLT,5/16X.688X.065, ZN	907
PPP000000047001101	SHAFT, LINK BUSHING, 556I	908
PPP00000HCCN038125	SCREW,HEX,GR 5,3/8-16X1-1/4, ZN	909
PPP00000CFMN031125	SCREW, SKHD, 5/16-18 X 1.25, ZN,(ME	910
PPP00000PMTN016150	SCREW, SELF TAPPING,#8 X 1.50, PHIL	911
PPP00000TAMN031100	SCREW,BTHD,5/16-18X1, ZN (MECH PLAT	912
PPP00000WCCN038008	WASHER, FLT, 3/8X1.00X.083	913
PPP000000039834101	CAP,PIVOT AXLE, LH	914
PPP000000039834102	CAP,PIVOT AXLE, RH	915

PPP00000MGCN016075	SCREW,MCH,8-32X3/4,PANHD,PHIL,	916
PPP0000WALCN031008	WASHER, 5/16 SPLIT LOCK, ZINC	917
PPP000000049095110	LITERATURE KIT, C576I DISPLAY-C, EN	999